

Mascot GRC helps slash installation times to save \$\$\$



In these tough economic times everyone is looking for ways to cut costs, so consider this:

The range of products from Mascot GRC are designed to significantly speed up installation and save you considerable amounts of cash...and it all revolves around weight.

Mascot Precast GRC products are as strong as old fashioned steel reinforced concrete, and stronger than drycast concrete, yet our products are approximately 1/10th the weight.

This weight-saving means reduced freight costs, reduced on-site costs (no need for lifting equipment in most cases) and less down time for staff.

The installation savings are so great, many contractors claim to cut installation times by 50% when using Mascot GRC pits over other concrete versions.

Pipe entries are simply made with a ball pein hammer. There's no need for a knock out panel, so you can make them in any location and size. If you haven't seen the video Lee put together, ask one of our staff and they'll get you a copy so you can see just how easy it is and the savings you could be making.

There's never been a better time to use Mascot GRC. Fast delivery times, reduced on-site costs and a customer service team that's as strong as our products. If you haven't tried a Mascot GRC product, now is the time.

Welcome

Welcome to our first newsletter for 2009 and if we are to believe all the news reports it's going to be a tough year - one in which the challenge will be to stay profitable by working smarter, and that's where Mascot Engineering can help you.

Our company was established in 1920 so we've seen some pretty tough times, including the Great Depression, so we're quietly confident we can show you a few tricks to save money without cutting corners. For starters, read our front page story and discover how to cut installation times by 50%

In this edition we showcase our Trench and Channel System which the supermarket giant Coles have put at the top of their shopping list.

We also show off our Stainless Steel Heelproof Grates which are just 'great' (pun fully intended). All this plus much more!

One of the most important reasons for producing this publication is to keep you up-to-date with developments in the world of drainage, electrical and industrial trade waste products. If there is anything you'd like to know more about give us a call.

Nick Taylor

Check out our new website:

Same address:

www.mascotengineering.com.au

but a whole new look and tremendous new features.



GRC Channel System - The Choice for Coles



Our DD Trench and Channel System is ideal for all situations. In fact, it's so good and so versatile, Coles put it at the top of its shopping list.

Simple and easy to install with grates that shopping trolley wheels won't get stuck in, yet still capable of taking delivery trucks without breaking the budget.

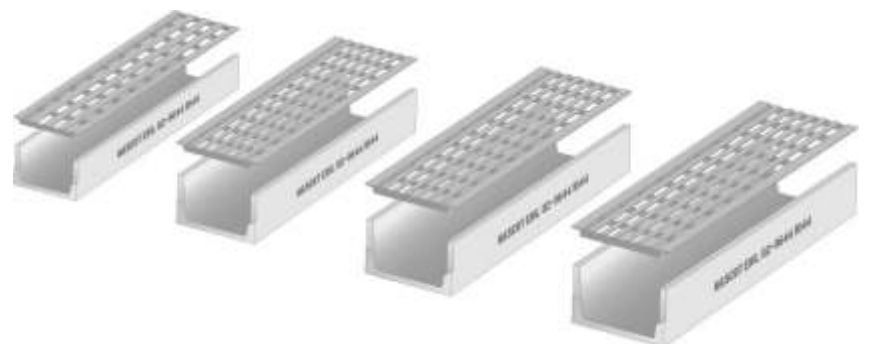
The range is still expanding with the 250mm and 300mm now available with various grates.

For more technical information and pricing, contact the sales team on 1300 885 295.



The Mascot GRC DriveDrain is comprised of lightweight pre-cast Glass Reinforced Concrete trench units that simply interlock together for easy drainage.

DriveDrain is available with a range of Galvanised Mild Steel as standard to suit both heavy and light duty applications. Traditional Cast Iron grates as well as Custom Stainless Steel Heelproof grates are also available.



Trade Waste - Think Mascot

With the largest range of approved and authorised trade waste products, Mascot is the only name you need to remember, and the only number you need know is 1300 885 295.

Mascot has grease arrestors for all states, oil separators, triple interceptors and basket arrestors to just name a few...

So if you're working in a car wash, cafe, laundry, school, workshop or even a petrol station, Mascot can supply everything you need. Consider us your one-stop shop.



Approved: GRC Oil & Water Separator with Plate Pack, Pump and Float Switch



Basket Arrestor



Grease Arrestor

Gas & Air Tight Infill Covers



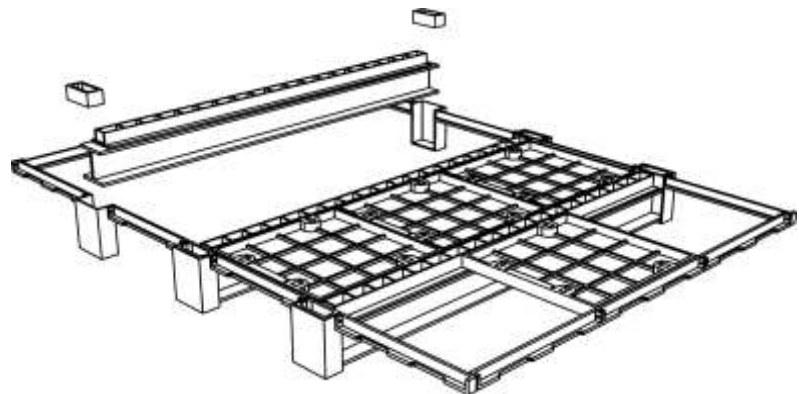
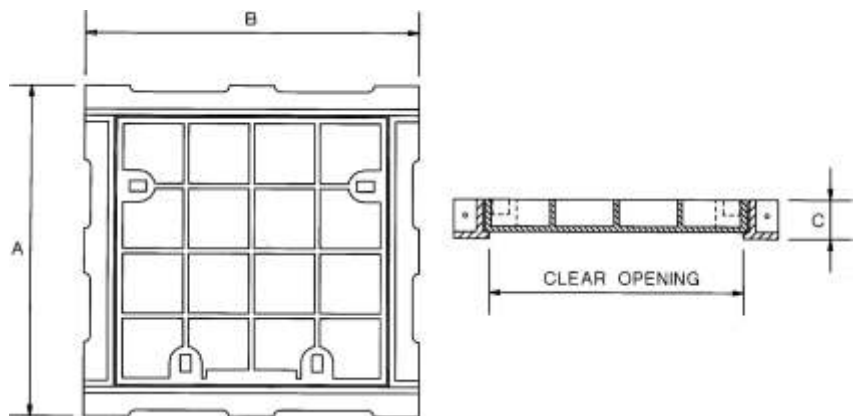
This is where it all began... Gastight Access Cover and Frames have been the backbone of Mascot Engineering since 1920.

Single, two and three part as well as multi-part covers complete with removable beams are our specialty. We can supply raw, to be in-filled on site or complete in a concrete surround to suit our range of pits or a size to suit you.

Decorative edge covers (brass or stainless steel) are also available for paved or tiled areas ensuring they blend in beautifully.

All products are manufactured to the relevant standards, both in materials as well as load ratings - from Class B through to G.

Call our technical team on 1300 885 295 to discuss your project.



AS 3996 Table of Load Classification

Load Class	Load Class	Load Class	Load Class	Load Class	Load Class	Load Class
A	B	C	D	E	F	G
10kN Extra Light Duty	80kN Light Duty	150kN Medium Duty	210kN Heavy Duty	400kN Extra Heavy Duty	800kN Extra Heavy Duty	900kN Extra Heavy Duty

Stainless Steel Heelproof Grates - just great!

More than just functional, these superb looking grates visually enhance building design.

They're safe, heel proof and provide a non-slip surface for indoor and external applications.

Available in 3mm, 5mm and 10mm apertures, Stainless Steel Wedgewire grates are available with a frame or a trough, with outlets and a fall if required.

Wedgewire Grates can be cleaned easily, making them ideal for food preparation areas and shopping malls.

They're also non-corrosive and can be confidently used in chemically-affected areas including swimming pools surrounds and laboratories.

Stainless Steel Punched Grates and Frames are also available in four standard clear opening sizes to suit vehicle and pedestrian traffic.

For more details contact our sales team on 1300 885 295.



Remember to check out our new website: same address (www.mascotengineering.com.au), but a whole new look and tremendous new features to help you get the answers fast!

MASCOT ENGINEERING GROUP

Mascot Engineering Sydney
45-51 Clapham Road,
Regents Park NSW 2143
Ph:(02) 9644 1044
F: (02) 9645 2927
Email: sales@mascoteng.com.au

Mascot Engineering Perth
Unit 1, 8 Juna Drive,
Malaga WA 6090
Ph: 1300 885 295

Mascot Engineering Melbourne
30 Earl Street,
Airport West VIC 3042
Ph: 1300 885 295

