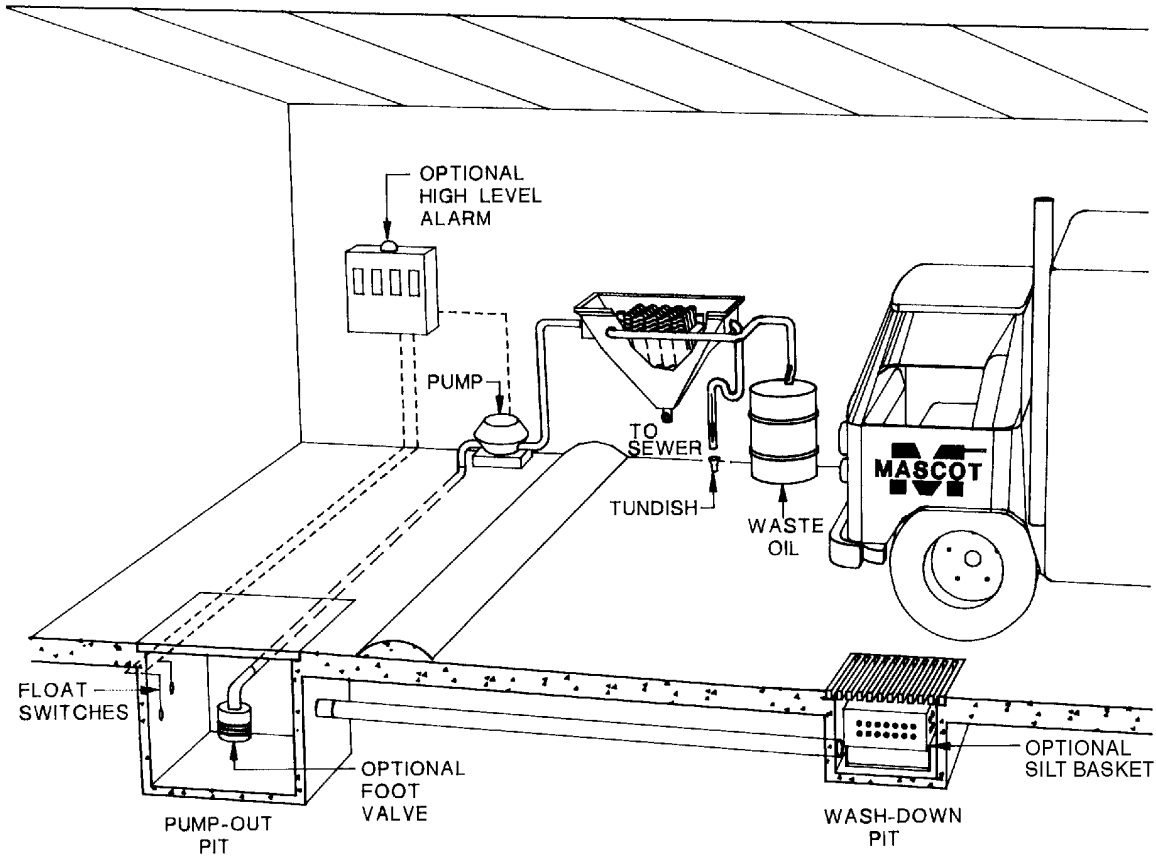


# COALESCING PLATE SEPARATOR/CPS/CFI



**MASCOT CROSS FLOW INTERCEPTOR UNIT  
 AUSTRALIAN DESIGNED AND MANUFACTURED**

COMPLIES WITH SYDNEY WATER GUIDELINES



## MASCOT CROSS FLOW INTERCEPTOR UNIT AUSTRALIAN DESIGNED AND MANUFACTURED

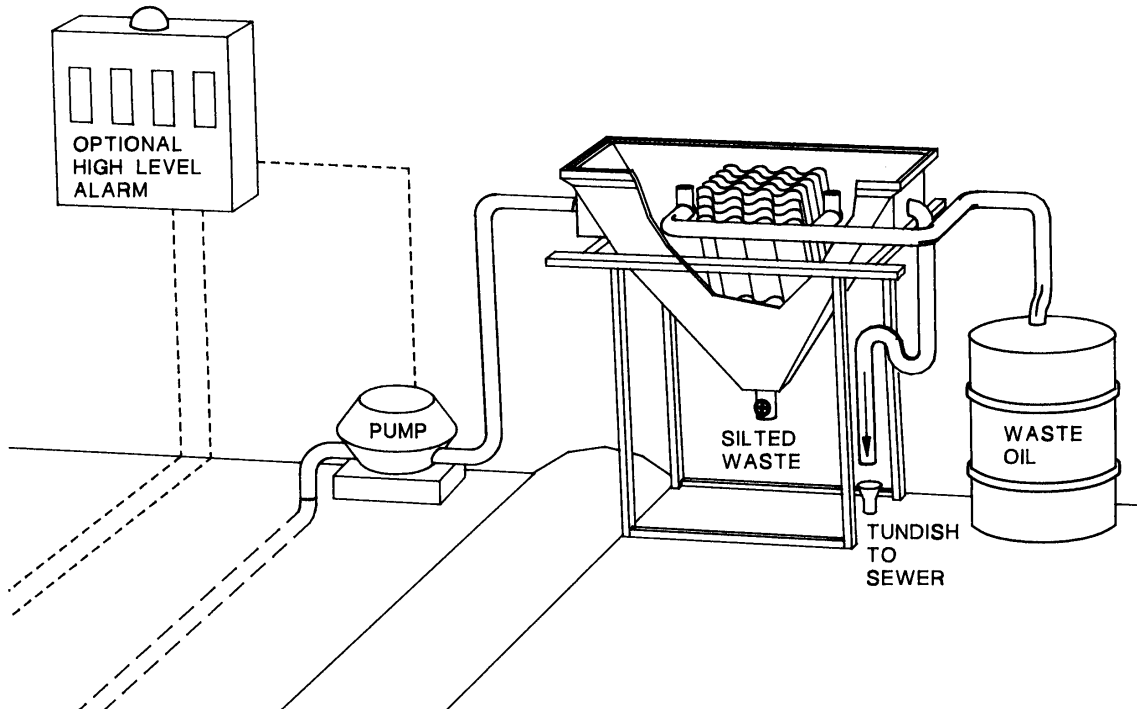
### CROSS FLOW INTERCEPTOR UNIT

After many years of development, Mascot Engineering have produced the most efficient Cross Flow Interceptor Unit on the market today.

The unit is a combination of Mascot's Lightweight Glass Reinforced Concrete Tank and the 60 degrees Plate Pack Unit.

Units can be supplied in 2 standard models (CFI 15) up to 1500 litres per hour and (CFI 30) up to 2580 litres per hour, capable of reducing the oil content in the effluent to less than 10 parts per million.

Both units are supplied with 1 Float Switch and 6 metres of cable.



### OPERATION

The oily water and sludge are collected in a wash down pit, here the heavier solids are trapped by way of a stainless steel basket or silt tray, depending on the application. The oil and the remaining solids are then introduced into the Cross Flow Interceptor Unit by a pump system.

Oils and solids are removed from the water stream by gravity separation between the multi-plate corrugated pack. The oil droplets rise in the flow and are caught when they reach the plate above, in the same way solid particles settle on the plate below and are retained. The corrugated plate packs are inclined at 60 degree to the horizontal, so that the solid particles which have been caught by gravity settlement are discharged from the plate pack into the underflow (sludge) hopper where again the sides are 60 degrees. The oil collects on the surface where it is skimmed off by the oil skimmers into the waste oil tank.

Pump out pits discharging to sewer must comply with Sydney Water specifications.

Mascot Units can be coupled with a range of holding wells for the eventual recovery and recycling of the clean water if desired.



### PERFORMANCE/PUMP SUPPLY

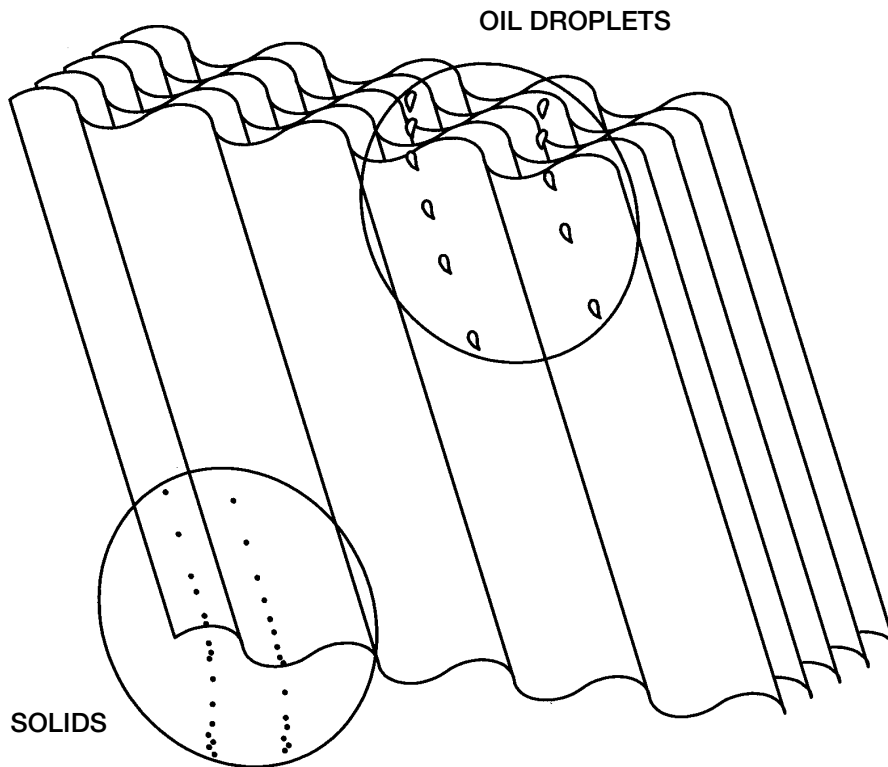
It is important that the oil droplets in the flow be larger than 60 microns, or a proportion of smaller droplets will pass through the unit and effect the effluent quality.

With the correct flow rate, the Mascot Cross Flow Interceptor Unit will deliver an oil content in the effluent of no greater than 10 parts per million, which exceeds the standard for discharge to stormwater and sewer systems.

### SOLID SEPARATION

If the solids are not continuously discharged from the plates as they settle, they will accumulate and block the plate pack, consequently, removal of such solids from the plates is of critical importance for the continued efficient operation of the separator.

In all Mascot Cross Flow Interceptor Units, the plates and the walls of the hopper are set at 60 degrees from the horizontal, which is greater than the angle of the repose of the settled solids, this ensures that the plate pack is self cleaning and when the sludge hopper is opened, all sludge will be removed.



### FLOW CAPACITY

Mascot Cross Flow Interceptor Units have a total plate area of 9 square meters, set at 60 degree to give an effective area of 4.5 square metres, which will intercept all 60 micron droplets at a flow rate of up to 2580 litres per hour.

**MAINTENANCE**

1. All Mascot Cross Flow Interceptor Units are manufactured from Glass Reinforced Concrete and coated internally with a two part epoxy coating. The plate pack connecting rods and fittings are of 316 stainless steel, pipe fittings are of P.V.C. hence no structural maintenance is required.
2. The discharge of oil from the Unit to the waste oil tank is automatic, again no maintenance is required.
3. The Underflow (sludge) Hopper — where the solids settle — should be cleaned at intervals of no more than 3 months. This would be determined by the environment and the flow rate of the unit installed.

The unit, at a minimum, should be stripped down and thoroughly cleaned at intervals of no more than 3 months.

The Plate Packs should be removed and thoroughly cleaned, the tank should be cleaned and washed out, the pump and pump lines should be thoroughly flushed, the plate packs replaced and the tank refilled with clean water.

As the applications vary from industry to industry, Mascot will supply a recommended maintenance program with every unit as required by Sydney Water.

**USAGE**

