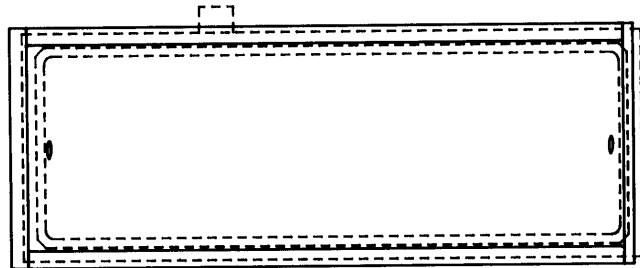


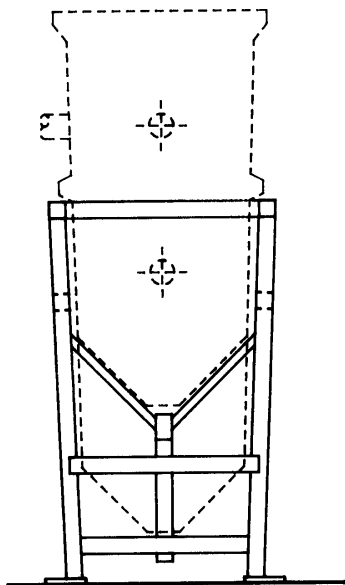


## ABOVE-GROUND STAND FOR GREASE ARRESTOR OR SOLIDS SETTLEMENT PIT

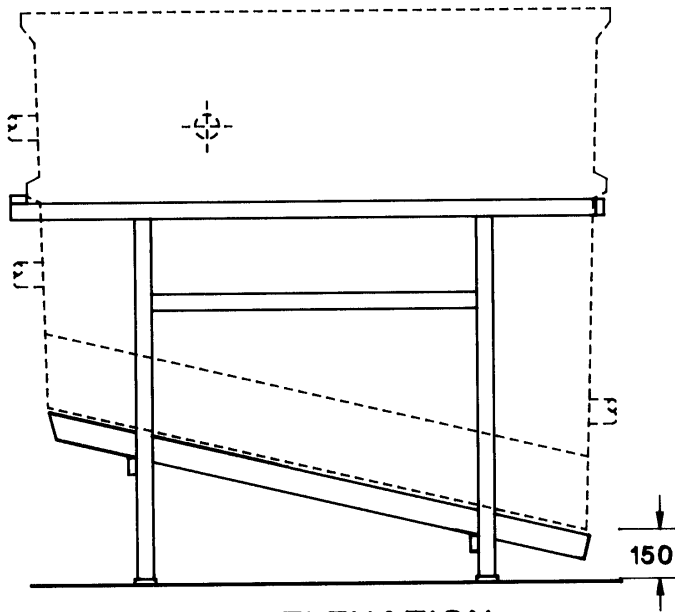
- All stands are manufactured from R.H.S. galvanised tube.



PLAN



FRONT ELEVATION



SIDE ELEVATION

- Shown above in typical arrangement only. If space is critical, please consult Mascot's Sales Office for exact dimensions.
- Stands add only 150mm in height to all tanks.
- All models covered – from 1000L – 4000L.
- Specially designed stands available on request.
- Ideal for use with either gastight or non-gastight lids.