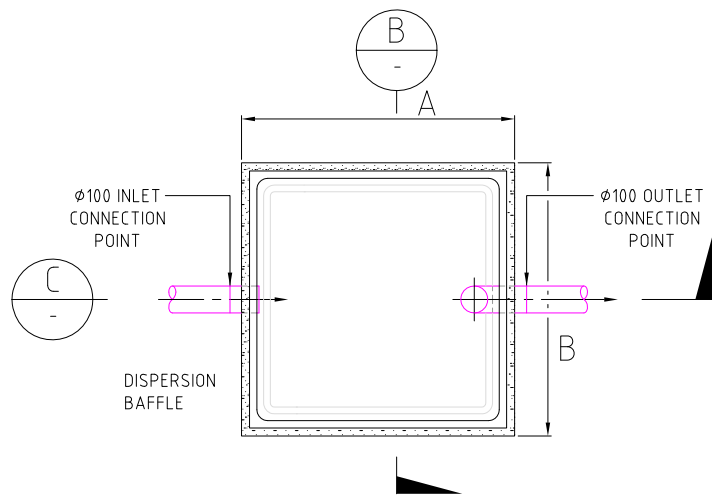


B END SECTION
- NOT TO SCALE

C SIDE SECTION
- NOT TO SCALE

PRODUCT NOTE:

- TESTED AND APPROVED FOR INSTALLATIONS UP TO 5000mm DEEP.
- 300mm RISERS AVAILABLE.
- LARGE RANGE OF CONCRETE SURROUNDS GASTIGHT COVERS TO SUIT ALL LOAD RATINGS.
- MPA RATING FOR GRC - 60 mpa @ 28 DAYS.
- AVAILABLE EXTRAS:
-STEP IRONS
-SUPPORT FRAME & WORK PLATFORMS FOR ABOVE GROUND INSTALLATIONS.
-STAINLESS STEEL BASKET FITTED WITH $\phi 3$ mm HOLES FOR LINT TRAP.
- CUSTOM FEATURES TO THIS TANK ARE AVAILABLE UPON REQUEST.
- OTHER PVC PIPE SIZES AVAILABLE UPON REQUEST
- INSTALLATION INSTRUCTIONS MUST BE FOLLOWED.
- COVER WILL ADD TO OVERALL DEPTH.



A OPEN TANK PLAN VIEW
- NOT TO SCALE

AUSTRALIAN SPECIFIC COOLING PIT - PRODUCT SCHEDULE

PRODUCT CODE	CAPACITY LITRE	A	B	C	D	E	F	MASS KG
AMDCL2	200	600	600	1200	600	450	600	155
AMDCL4	400	900	900	1350	600	300	450	250
AMDCL6	600	900	900	1350	750	450	600	250
AMDCL8	800	1200	1200	1200	600	450	600	395
AMDCL10	1000	1200	1200	1500	1000	325	475	475
AMDCL15	1500	2090	860	1370	850	370	520	510
AMDCL20	2000	2090	860	1670	1200	320	470	610
AMDCL25	2500	2090	860	1970	1400	420	570	750

ALL DIMENSIONS ARE APPROXIMATE AND IN mm UNLESS OTHERWISE NOTED

© Copyright



ph:(02) 9644 1044
sales@mascoteng.com.au
www.mascoteng.com.au

Mascot Engineering
37 Tarlington Place Smithfield NSW 2164

PRODUCT DESCRIPTION:
GRC COOLING PIT

PRODUCT CODE:

AS ABOVE

APPROVED:

DRAWN BY:

TOTAL WEIGHT OF PRODUCT:

AS ABOVE

SCALE:

DATE:

DRAWING NO:

ME-VIC-TW-CP-33

REVISION:

B