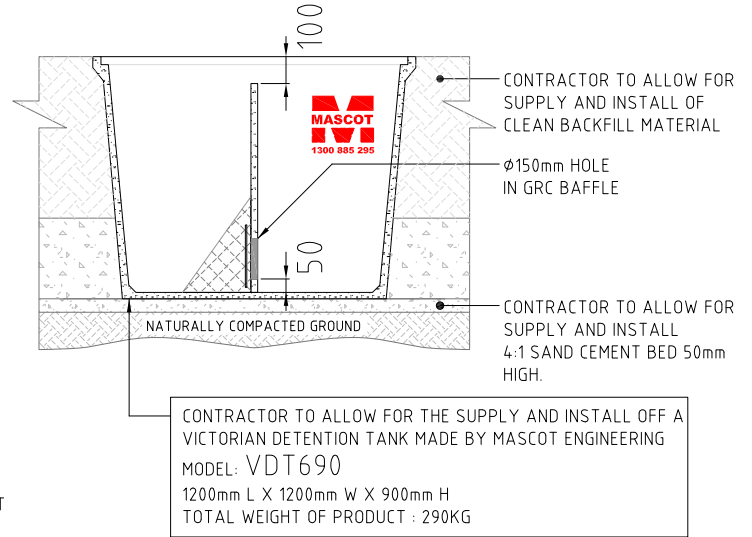
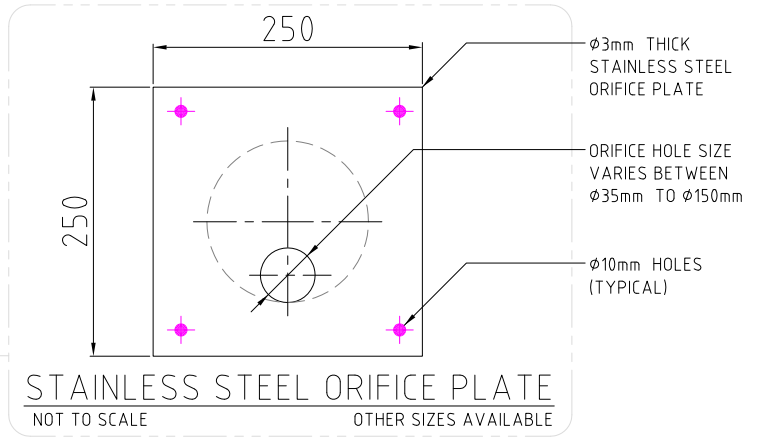
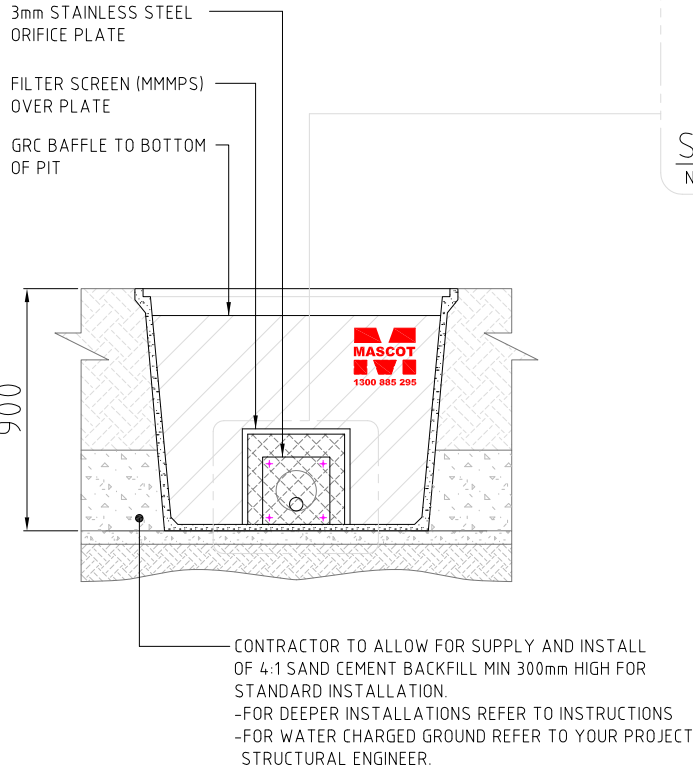


GRC VICTORIAN DETENTION TANK

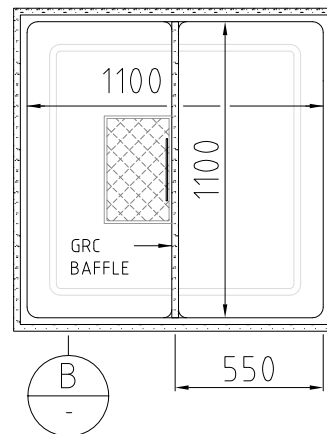
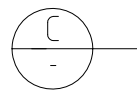


B END SECTION
 NOT TO SCALE

C SIDE SECTION
 NOT TO SCALE

PRODUCT NOTE:

- TESTED AND APPROVED FOR INSTALLATIONS UP TO 5000mm DEEP.
- PIT RISERS AVAILABLE.
- LARGE RANGE OF CONCRETE SURROUNDS, GRATES AND COVERS TO SUIT ALL LOAD RATINGS.
- MPA RATING FOR GRC - 60 mpa @ 28 DAYS.
- AVAILABLE EXTRAS-STEP IRONS.
- CUSTOM FEATURES TO THIS TANK ARE AVAILABLE UPON REQUEST.
- INSTALLATION INSTRUCTIONS MUST BE FOLLOWED.
- SOME COVERS WILL ADD TO OVERALL DEPTH.



A OPEN TANK PLAN VIEW
 NOT TO SCALE

ALL DIMENSIONS ARE APPROXIMATE AND IN mm UNLESS OTHER WISE NOTED

© Copyright



ph:1300 885 295
 melbourne@mascoteng.com.au
 www.mascoteng.com.au

Mascot Engineering Melbourne
 30 Earl Street,
 Airport West VIC 3042

PRODUCT DESCRIPTION: GRC VICTORIAN DETENTION TANK	APPROVED: N.T	SCALE: NOT TO SCALE	REVISION: B
PRODUCT CODE: VDT690	DRAWN BY: M.Z	DATE: 07-04-2010	
	TOTAL WEIGHT OF PRODUCT: 290KG	DRAWING NO: ME-VIC-VDT-01	