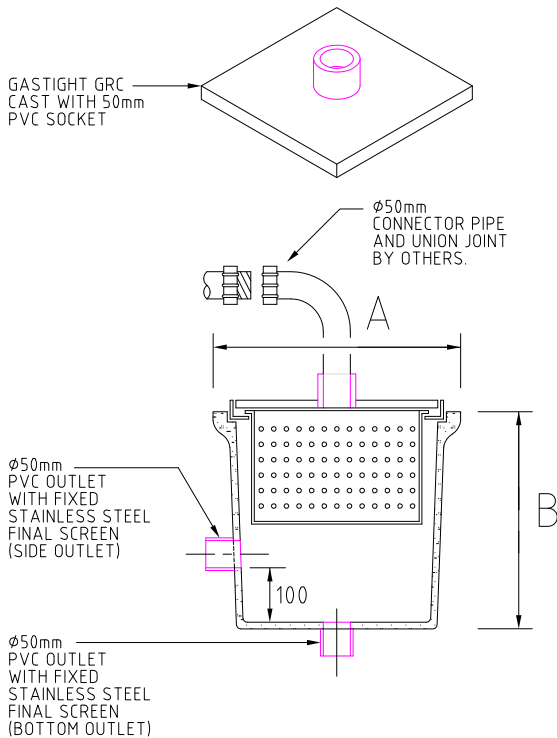


GRC STAINLESS BASKET ARRESTOR			
PRODUCT CODE	A	B	MASS (KG)
SBA1S (SIDE OUTLET)	330	320	15
SBA1B (BOTTOM OUTLET)	330	320	15
SBA2A (SIDE OUTLET)	195	170	8
SBA2B (BOTTOM OUTLET)	195	170	8

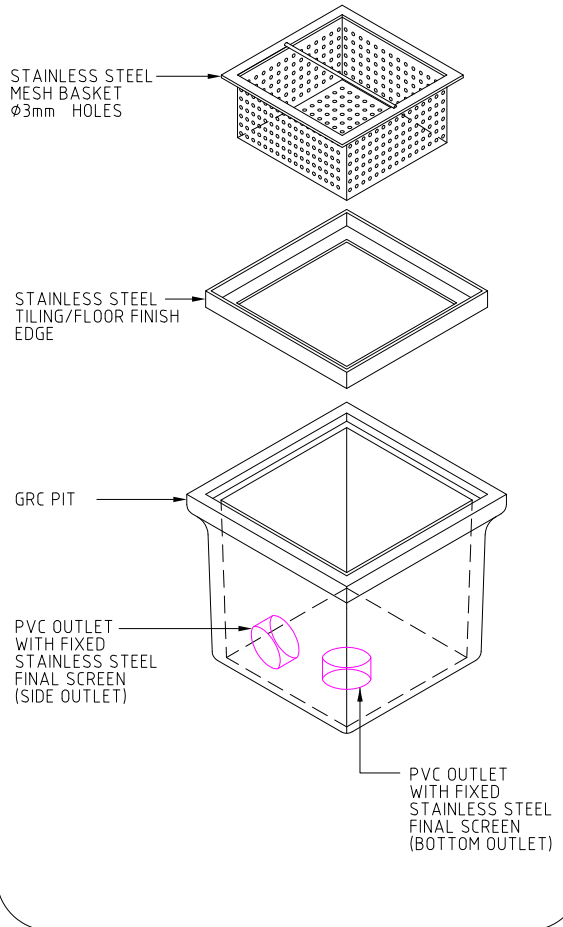


GRC UNDER SINK PLASTER/SOLIDS TRAP			
PRODUCT CODE	A	B	MASS (KG)
SBA1S (SIDE OUTLET)	330	320	15
SBA1B (BOTTOM OUTLET)	330	320	15

PRODUCT NOTE:

1. OPTIONAL OUTLET POSITION TO CATER FOR A VARIETY OF DEPTHS.
2. STANDARD INLET/OUTLET 100mm PVC, OTHER DIAMETERS AVAILABLE ON REQUEST.
3. LARGER SIZE UNITS AVAILABLE FOR HIGH VOLUME OPERATIONS.
4. COATED INTERNALLY WITH T24 TAR EPOXY PAINT
5. STAINLESS STEEL GRATING AND FILTERS ENSURE DURABILITY.

BASE COMPONENTS



PRODUCT NOTE:

1. OPTIONAL OUTLET POSITION FOR EASE OF INSTALLATION.
2. STANDARD INLET/OUTLET 50mm PVC, OTHER DIAMETERS AVAILABLE ON REQUEST.
3. FINER FILTER MEDIA OR SCREENS AVAILABLE FOR SMALLER WASTE PARTICLES.
4. STAINLESS STEEL FILTERS ENSURE DURABILITY.
5. AIRTIGHT LID PREVENTS ODOUR LEAKAGE.
6. IDEAL AS AN UNDER SINK ARRESTOR FOR DENTAL SURGERIES, PLASTER MOLDERS, ETC.

ALL DIMENSIONS ARE APPROXIMATE AND IN mm UNLESS OTHERWISE NOTED

© Copyright

MASCOT ENGINEERING GROUP
Since 1920

ph:1300 885 295
melbourne@mascoteng.com.au
www.mascoteng.com.au

Mascot Engineering Melbourne
30 Earl Street,
Airport West VIC 3042

PRODUCT DESCRIPTION:

GRC UNDER SINK PLASTER/
SOLIDS TRAP & STAINLESS
STEEL BASKET ARRESTOR

PRODUCT CODE:

AS ABOVE

APPROVED:

N.T

DRAWN BY:

M.Z

TOTAL WEIGHT OF PRODUCT:

AS ABOVE

SCALE:

NOT TO SCALE

DATE:

07.04.2010

DRAWING NO:

ME-VIC-TW-SBA-PST-33

REVISION:
B