



MASCOT ENGINEERING GROUP

Since 1920

HEAD OFFICE

37 Tarlington Place, Smithfield NSW 2164

ph: 1300 885 295

fax: 1300 885 296

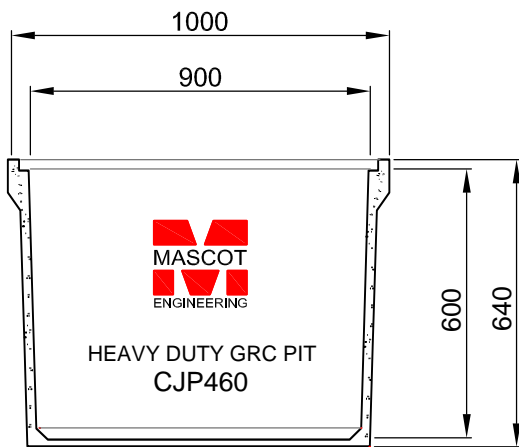
email: sales@mascoteng.com.au

www.mascotengineering.com.au

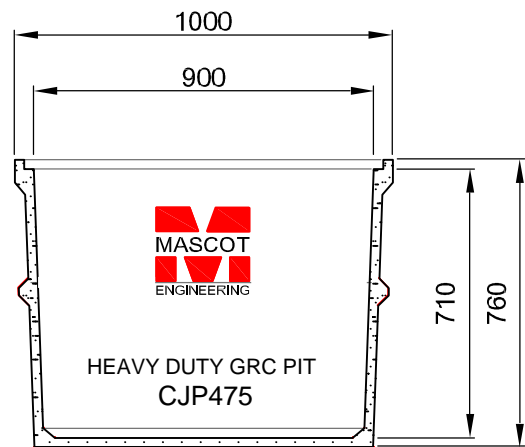
**MASCOT ENGINEERING G.R.C.
GLASS REINFORCED CONCRETE
CABLE PITS & RISERS DETAILED DRAWING**

CJP460 / CJP475 / CJP4R30 / CJP4R60

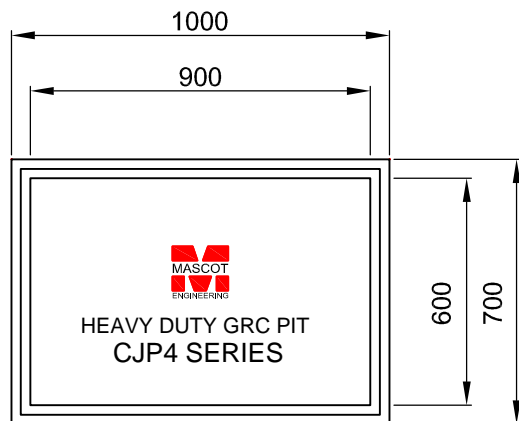
**600mm x 900mm PIT CHAMBER
ELECTRICAL & COMMUNICATION PITS & RISERS**



SIDE VIEW



SIDE VIEW



PLAN VIEW

Covers available in all Class ratings (AS3996)

- GRC Pedestrian Duty Drop in Covers
- Steel checker plate (GMS)
- Cast Iron infill covers and frames
- Gas & Air Tight Iron Covers and frames
- Concrete surrounds
- Drawings available upon request

For any further queries, contact Head Office on 1300 885 295, or your local representative.

SCALE 1:20

REVISION:

© Copyright

A

DRAWING No:

CJP4B



MASCOT ENGINEERING GROUP

Since 1920

HEAD OFFICE

37 Tarlington Place, Smithfield NSW 2164

ph: 1300 885 295

fax: 1300 885 296

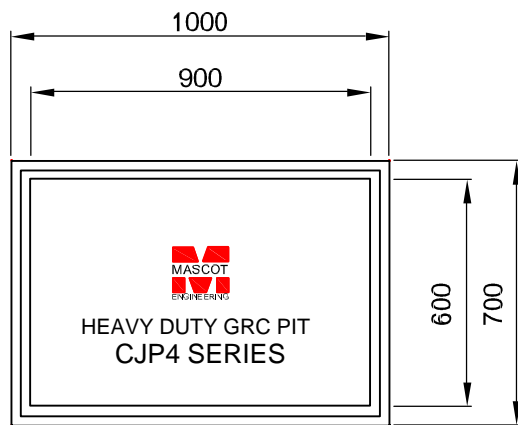
email: sales@mascoteng.com.au

www.mascotengineering.com.au

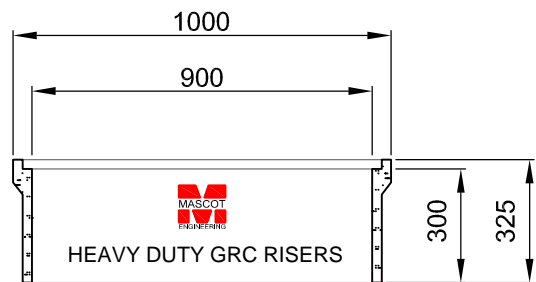
**MASCOT ENGINEERING G.R.C.
GLASS REINFORCED CONCRETE
CABLE PITS & RISERS DETAILED DRAWING**

CJP460 / CJP475 / CJP4R30 / CJP4R60

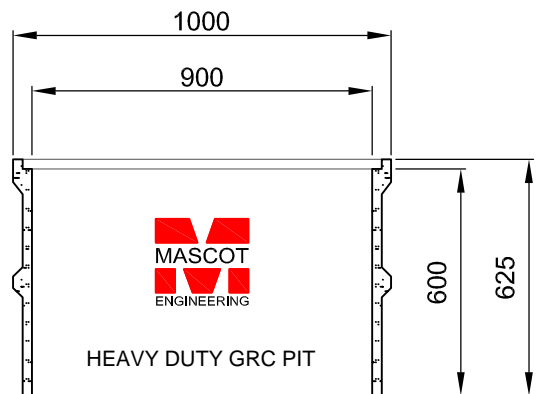
**600mm x 900mm PIT CHAMBER
ELECTRICAL & COMMUNICATION PITS & RISERS**



PLAN VIEW



**CJP4R30
SIDE VIEW**



**CJP4R60
SIDE VIEW**

Covers available in all Class ratings (AS3996)

- GRC Pedestrian Duty Drop in Covers
- Steel checker plate (GMS)
- Cast Iron infill covers and frames
- Gas & Air Tight Iron Covers and frames
- Concrete surrounds
- Drawings available upon request

For any further queries, contact Head Office on 1300 885 295, or your local representative.

SCALE 1:20

REVISION:

Copyright

A

DRAWING No:

CJP4B