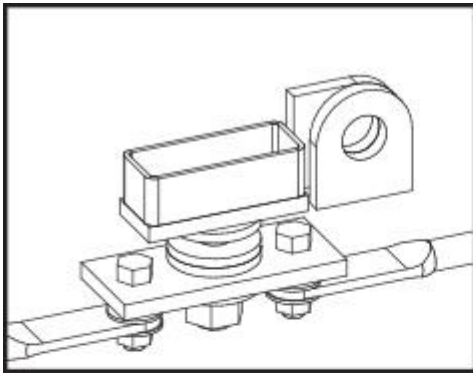
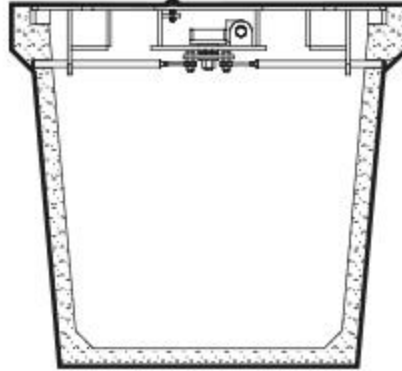
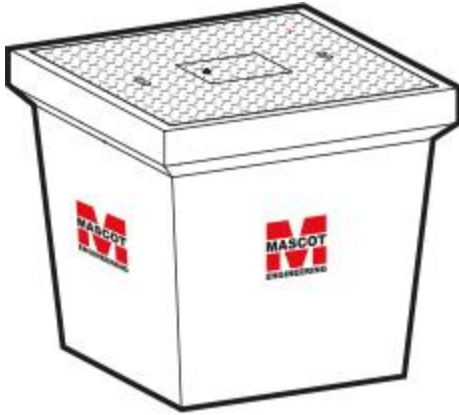
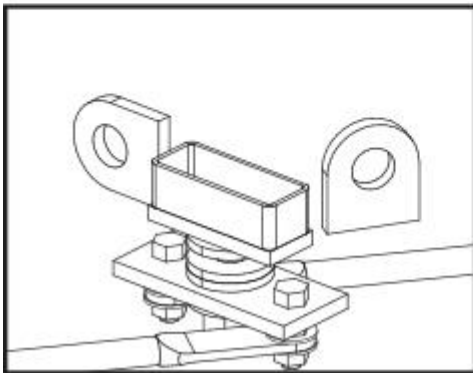
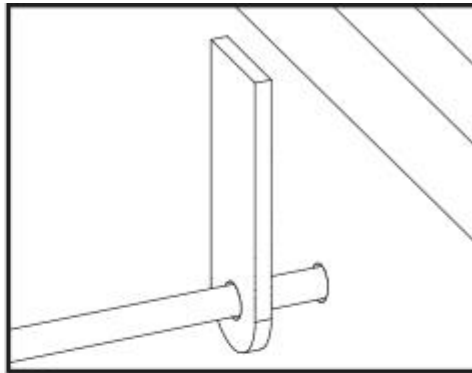


Mascot Engineering
Galvanised Mild Steel
Checkerplate Cover (Padlockable)

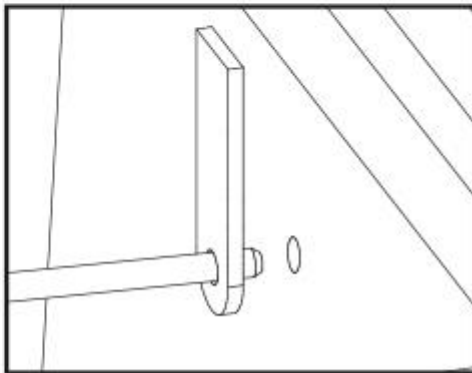
Revision A



Z-LOCK ENGAGED



Z-LOCK DISENGAGED



Mascot Engineering

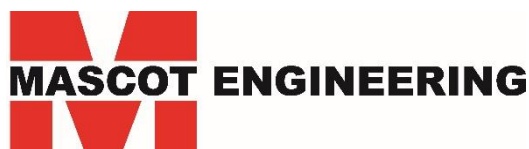
Galvanised Mild Steel

Checkerplate Cover (Padlockable)

Revision A

Suit Pit Range	Clear Opening	Load Rating	Cover Type	Weight	Product Code
CJP2	450x450	Class A	Steel GMS Padlockable	12kg	CJP2GMSMLA
CJP2	450x450	Class B	Steel GMS Padlockable	14kg	CJP2GMSMLB
CJP2	450x450	Class C	Steel GMS Padlockable	16kg	CJP2GMSMLC
CJP3	600x600	Class A	Steel GMS Padlockable	21kg	CJP3GMSMLA
CJP3	600x600	Class B	Steel GMS Padlockable	23kg	CJP3GMSMLB
CJP3	600x600	Class C	Steel GMS Padlockable	27kg	CJP3GMSMLC
CJP4	900x600	Class A	Steel GMS Padlockable	34kg	CJP4GMSMLA
CJP4	900x600	Class B	Steel GMS Padlockable	42kg	CJP4GMSMLB
CJP4	900x600	Class C	Steel GMS Padlockable	52kg	CJP4GMSMLC
CJP5	900x900	Class A	Steel GMS Padlockable	44kg	CJP5GMSMLA
CJP5	900x900	Class B	Steel GMS Padlockable	49kg	CJP5GMSMLB
CJP5	900x900	Class C	Steel GMS Padlockable	54kg	CJP5GMSMLC
CJP6	1100x1100	Class A	Steel GMS Padlockable	74kg	CJP6GMSMLA
CJP6	1100x1100	Class B	Steel GMS Padlockable	84kg	CJP6GMSMLB
CJP6	1100x1100	Class C	Steel GMS Padlockable	90kg	CJP6GMSMLC
CJP7	600x300	Class A	Steel GMS Padlockable	12kg	CJP7GMSMLA
CJP7	600x300	Class B	Steel GMS Padlockable	14kg	CJP7GMSMLB
CJP7	600x300	Class C	Steel GMS Padlockable	17kg	CJP7GMSMLC
CJP8	1250x450	Class A	Steel GMS Padlockable	30kg	CJP8GMSMLA
CJP8	1250x450	Class B	Steel GMS Padlockable	34kg	CJP8GMSMLB
CJP8	1250x450	Class C	Steel GMS Padlockable	44kg	CJP8GMSMLC
CJP9	585x245	Class A	Steel GMS Padlockable	12kg	CJP9GMSMLA
CJP9	585x245	Class B	Steel GMS Padlockable	14kg	CJP9GMSMLB
CJP9	585x245	Class C	Steel GMS Padlockable	17kg	CJP9GMSMLC

Copyright of Mascot Engineering Co Pty Ltd 2017



37 Tarlington Place,
Smithfield NSW 2164
1300 885 295
sales@mascoteng.com.au
www.mascotengineering.com.au