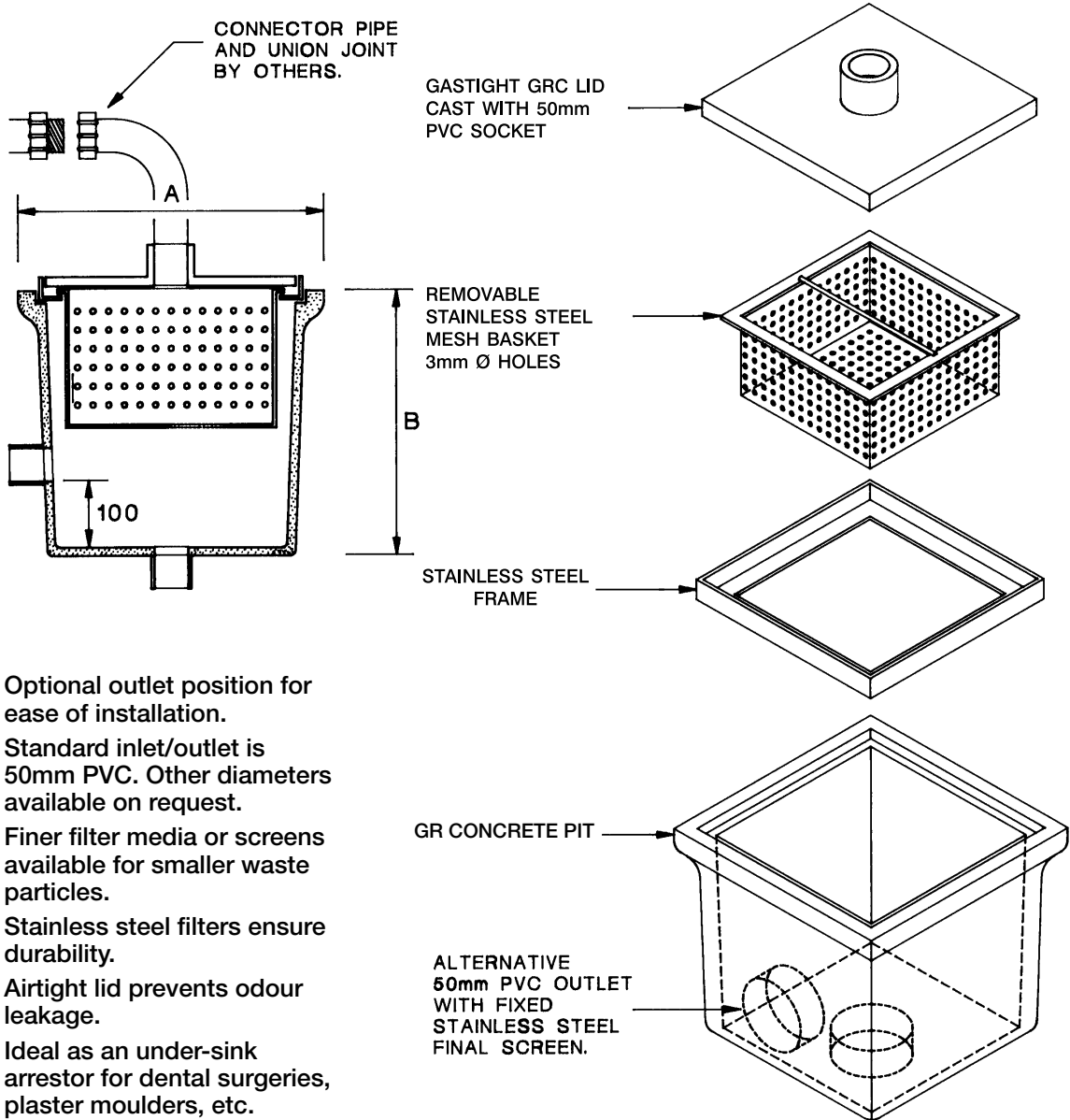




## GR CONCRETE UNDER-SINK PLASTER/SOLIDS TRAP



- Optional outlet position for ease of installation.
- Standard inlet/outlet is 50mm PVC. Other diameters available on request.
- Finer filter media or screens available for smaller waste particles.
- Stainless steel filters ensure durability.
- Airtight lid prevents odour leakage.
- Ideal as an under-sink arrester for dental surgeries, plaster moulders, etc.

PRODUCT CODE	A	B	MASS (KG)
PST1S (SIDE OUTLET)	330	320	15kg
PST1B (BOTTOM OUTLET)	330	320	15kg